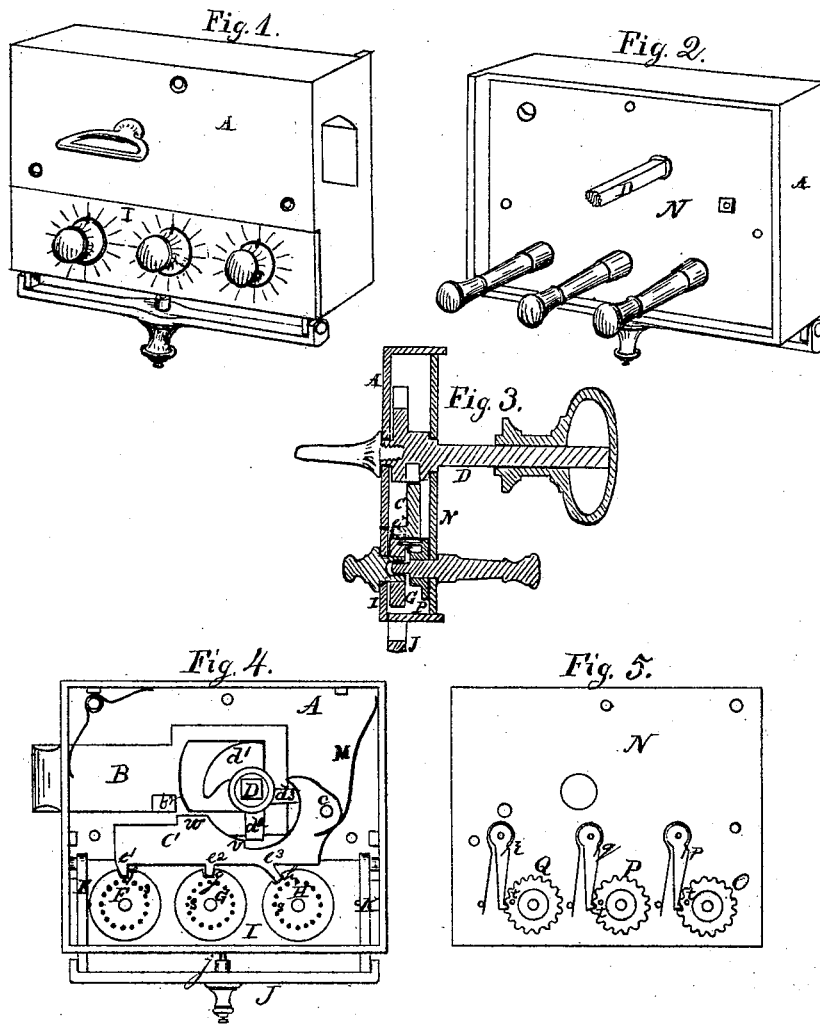


R. A. LEE.

Improvement in Permutation-Locks.

No. 132,161.

Patented Oct. 15, 1872.



WITNESS

Geo. W. Pickett
H. W. Adams.

INVENTOR.

Rollin A. Lee